

# TGKX.698 - Roof Deck Constructions

## Design/System/Construction/Assembly Usage Disclaimer

- Authorities Having Jurisdiction should be consulted in all cases as to the particular requirements covering the installation and use of UL Certified products, equipment, system, devices, and materials.
- Authorities Having Jurisdiction should be consulted before construction.
- Fire resistance assemblies and products are developed by the design submitter and have been investigated by UL for compliance with applicable requirements. The published information cannot always address every construction nuance encountered in the field.
- When field issues arise, it is recommended the first contact for assistance be the technical service staff provided by the product manufacturer noted for the design. Users of fire resistance assemblies are advised to consult the general Guide Information for each product category and each group of assemblies. The Guide Information includes specifics concerning alternate materials and alternate methods of construction.
- Only products which bear UL's Mark are considered Certified.

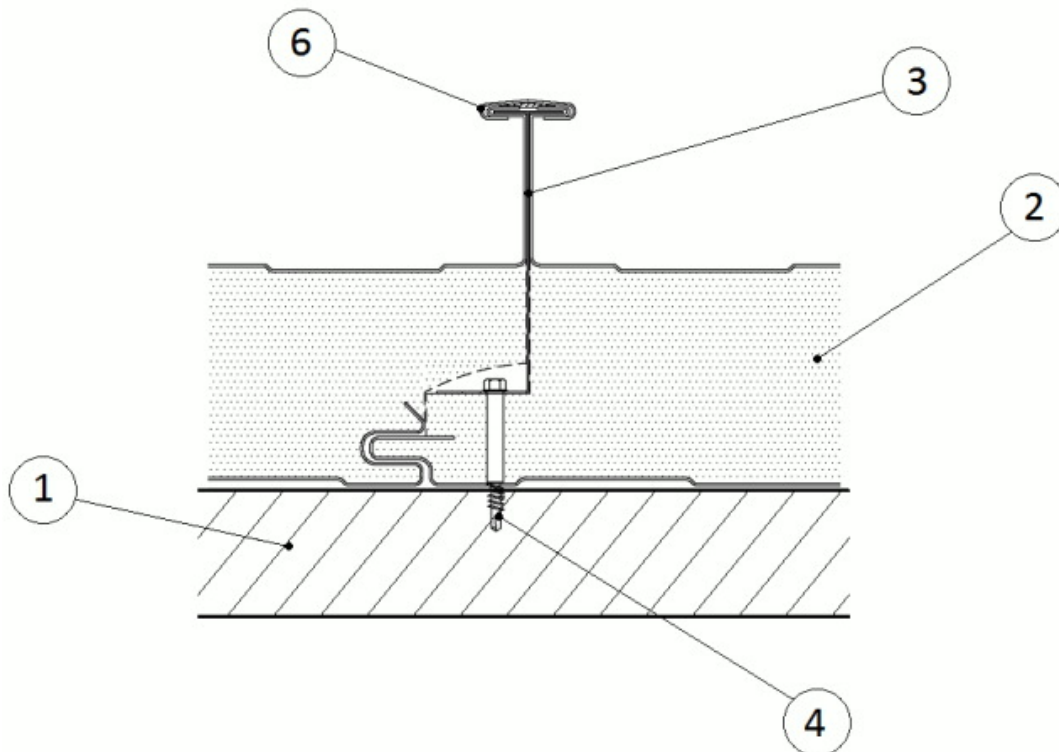
## Roof Deck Constructions

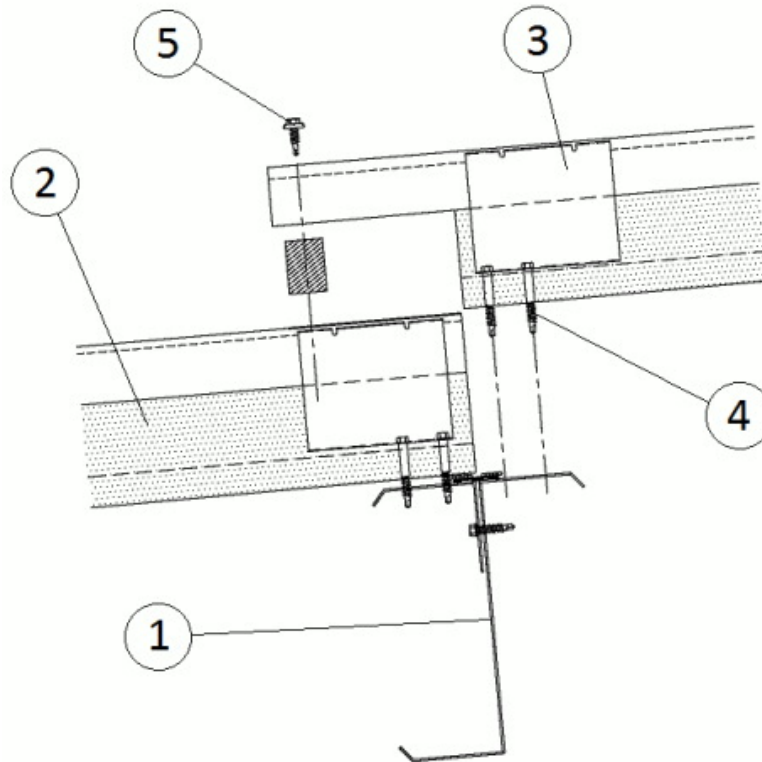
See General Information for Roof Deck Constructions

### Construction No. 698

July 15, 2016

### Uplift — Class 90 Fire Not Investigated





1. **Purlins** — Min. No. 14 MSG high structural steel, spaced max. 84 in. OC. End lap support angles to be of the same material.

2. **Building Units\*** — Foam insulation sandwich panels, with min. No. 26 MSG coated steel skins. Max. 42 in. wide and 2.5 to 5 in. thick, with additional 2 inch high standing seam ribs. Building Units continuous over two or more spans.

Side laps to be continuous. Building Units secured with Roof Deck Fasteners and Fasteners [4] over Purlins before adjacent units are coupled. Standing seam side lap ribs to be seamed with manual or motorized seaming tool. Sealant may be used at side joints.

End laps to be continuous and to occur over Purlins with end lap support angles. End laps formed by a 6 in. cutback of the foamed core and interior face of the upslope unit, and then lapping the exterior face of the upslope unit over the exterior face of the downslope unit and butting the foam cores. Secured with Fasteners [5], with butyl tape sealant between the overlapping exterior faces.

**GREEN SPAN PROFILES LP** (View Classification) — "RidgeLine Roof Panel"

3. **Roof Deck Fasteners\* — (Panel Clips)** — Min. 16 MSG coated steel, 4 in. wide. Height varies with foam core thickness. Secured through Building Units to Purlins with Fasteners [4]. Installed at side lap crossings over Purlins, and at end laps over Purlins and support angles.

**GREEN SPAN PROFILES LP** (View Classification) — "RidgeLine Panel Clip"

4. **Fasteners (Screws)** — For securing the Roof Deck Fasteners to the Purlins, 1/4-14 x 2-1/4 SDS Shoulder Tek3. Two screws used per clip.

5. **Fasteners (Screws)** — For securing the end laps, 1/4-14 x 7/8 Tek1 SDS Sealer. One screw used per profile rib; seventeen per end lap.

6. **Batten Cap** — Min. 24 MSG coated steel, with an optional bead of factory applied hot metal mastic.

Refer to general information, Roof Deck Construction, for items not evaluated.

**\* Indicates such products shall bear the UL or cUL Certification Mark for jurisdictions employing the UL or cUL Certification (such as Canada), respectively.**

Last Updated on 2016-07-15

The appearance of a company's name or product in this database does not in itself assure that products so identified have been manufactured under UL's Follow-Up Service. Only those products bearing the UL Mark should be considered to be Certified and covered under UL's Follow-Up Service. Always look for the Mark on the product.

UL permits the reproduction of the material contained in the Online Certification Directory subject to the following conditions: 1. The Guide Information, Assemblies, Constructions, Designs, Systems, and/or Certifications (files) must be presented in their entirety and in a non-misleading manner, without any manipulation of the data (or drawings). 2. The statement "Reprinted from the Online Certifications Directory with permission from UL" must appear adjacent to the extracted material. In addition, the reprinted material must include a copyright notice in the following format: "© 2020 UL LLC"