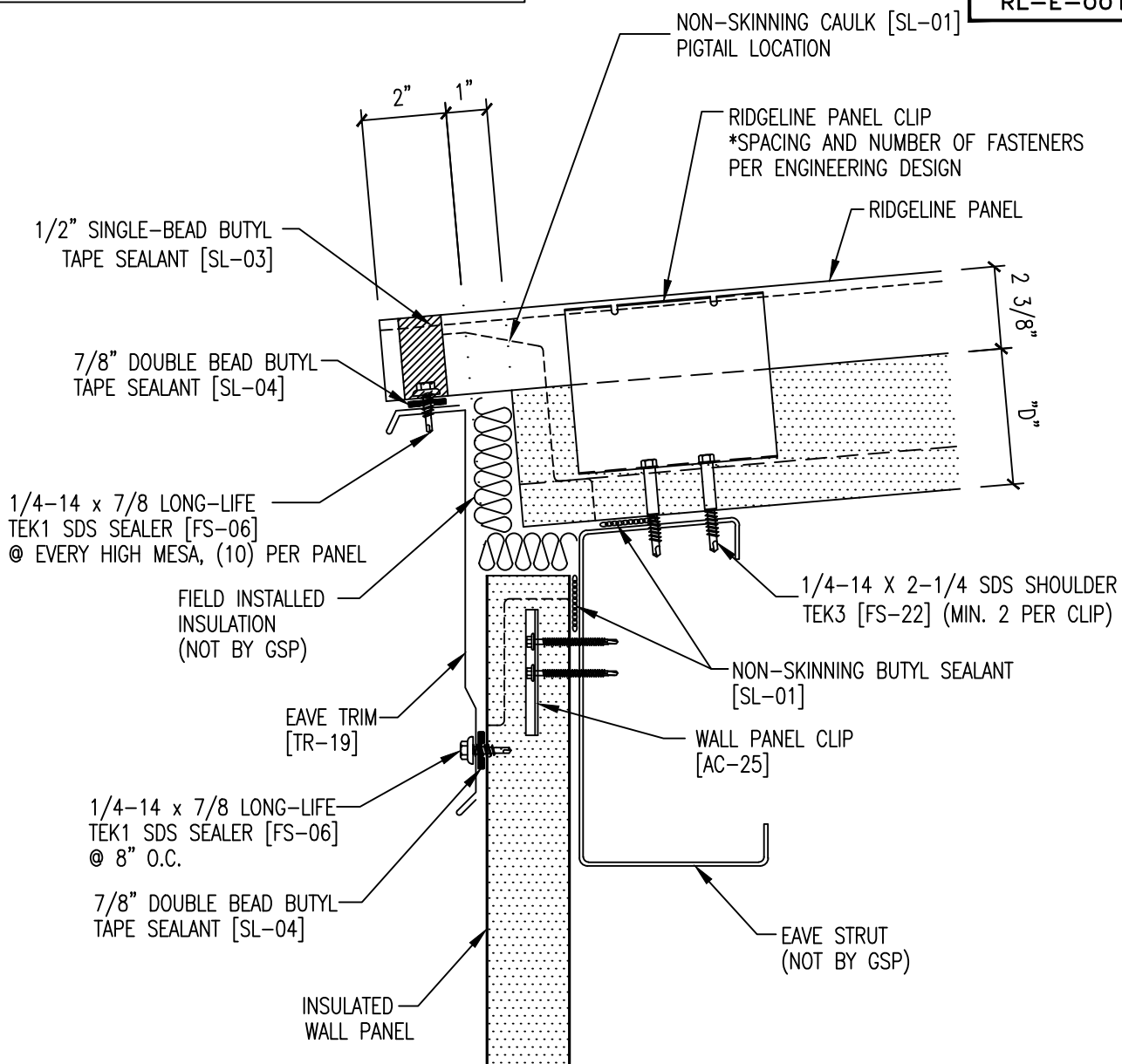


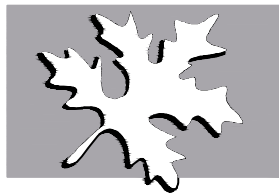
NOTE: FIELD REMOVE LINER AND INSULATION AT CUTBACK

RL-E-001



NOTE:

1. "D" = ROOF PANEL THICKNESS (AVAILABLE THICKNESS = 2.5, 3, 4, 5, OR 6)
2. FIELD REMOVE LINER AND INSULATION AT CUTBACK
3. DIMENSIONS SHOW ARE FOR 3" THICK ROOF PANEL. ADJUST DIMENSION PROPORTIONALLY FOR OTHER ROOF PANELS THICKNESS.
4. FILLER INSULATION MATERIAL AND APPLICATION IS SPECIFIED BY THE PROJECT DESIGNER.



GREEN SPAN
PROFILES®

INSULATED PANEL TECHNOLOGIES

LOW EAVE

APPLICATION: ROOF	NOTES:	
SCALE: NTS	REVISION: 4	DATE: 3-21-23
DRAWN: JC	DATE: 10-20-13	
CHECK:	DATE:	
21200 FM362, WALLER, TEXAS 77484	281-807-7400	WWW.GREENSPANPROFILES.COM