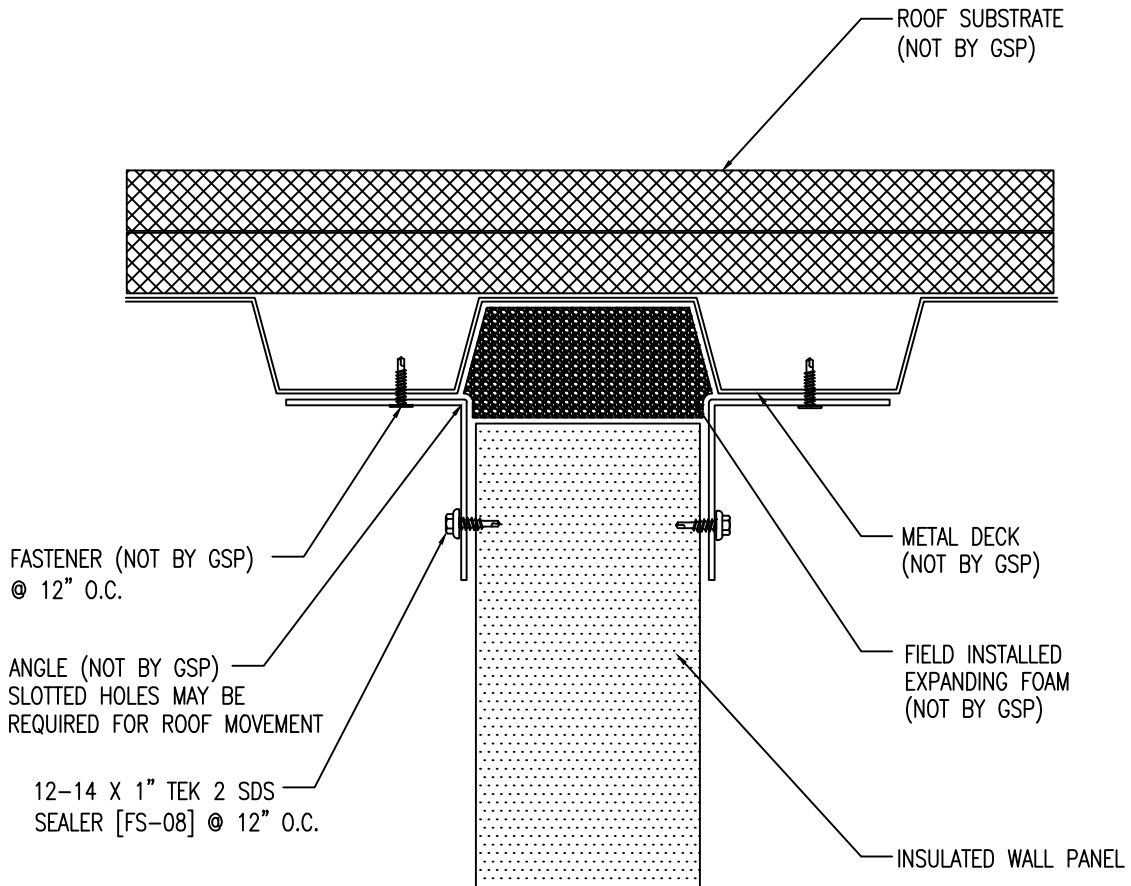


LT-WR-002



FASTENER (NOT BY GSP)
@ 12" O.C.

ANGLE (NOT BY GSP)
SLOTTED HOLES MAY BE
REQUIRED FOR ROOF MOVEMENT

12-14 X 1" TEK 2 SDS
SEALER [FS-08] @ 12" O.C.



| WALL TO ROOF | | |
|----------------------------------|---------------|---------------------------|
| APPLICATION: COOLER / COOLER | NOTES: | |
| SCALE: NTS | REVISION: | DATE: 4-8-16 |
| DRAWN: DG | DATE: 8-30-12 | |
| CHECK: | DATE: | |
| 21200 FM362, WALLER, TEXAS 77484 | 281-807-7400 | WWW.GREENSPANPROFILES.COM |