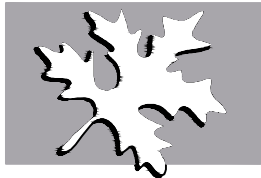
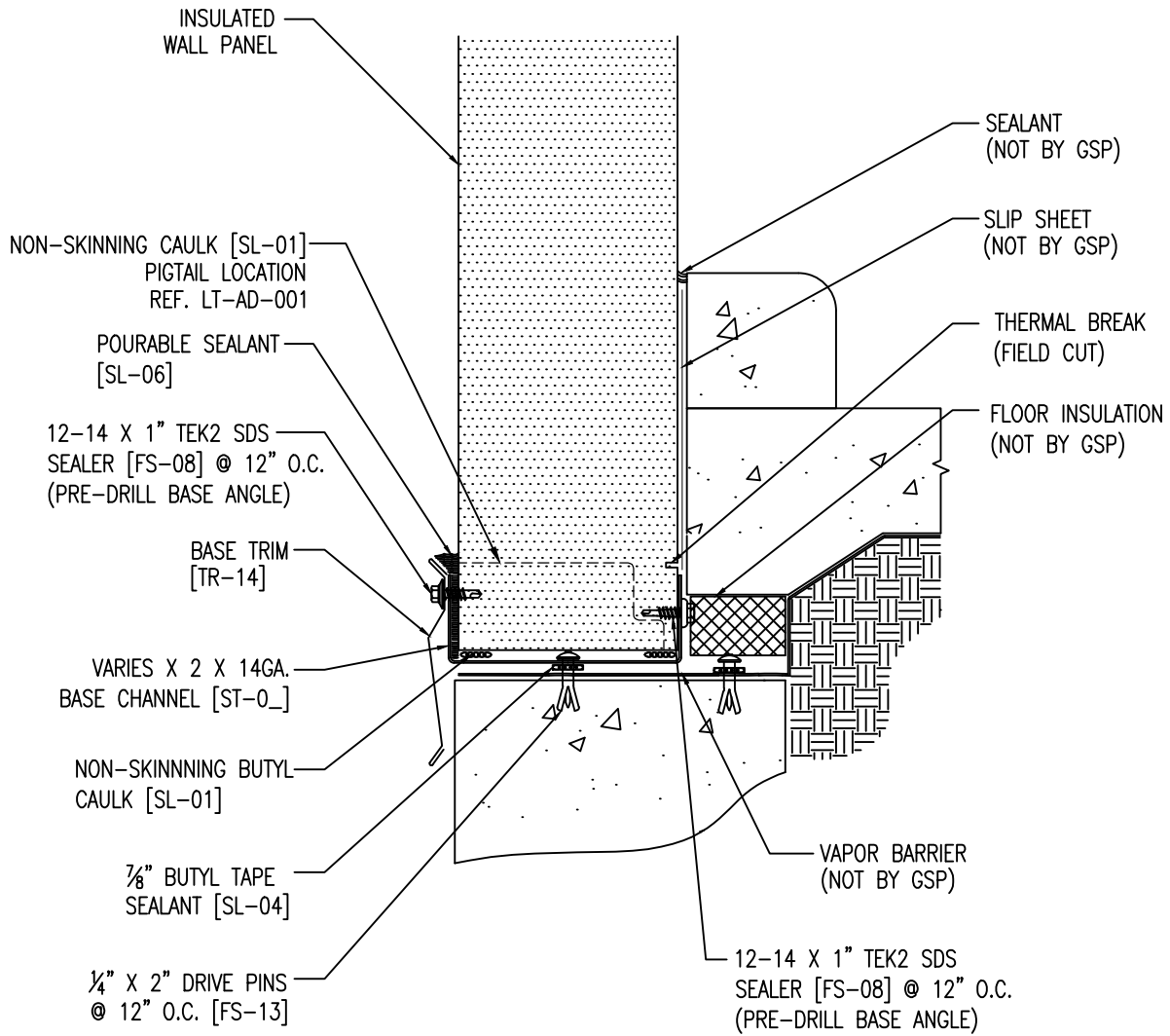


WARM SIDE

COLD SIDE



GREEN SPAN
PROFILES®
INSULATED PANEL TECHNOLOGIES

EXTERIOR WALL BASE

APPLICATION: COOLER		NOTES:	
SCALE: NTS	REVISION: 2	DATE: 4-7-16	
DRAWN: DG	DATE: 11-19-12		
CHECK:	DATE:		
21200 FM362, WALLER, TEXAS 77484	281-807-7400	WWW.GREENSPANPROFILES.COM	