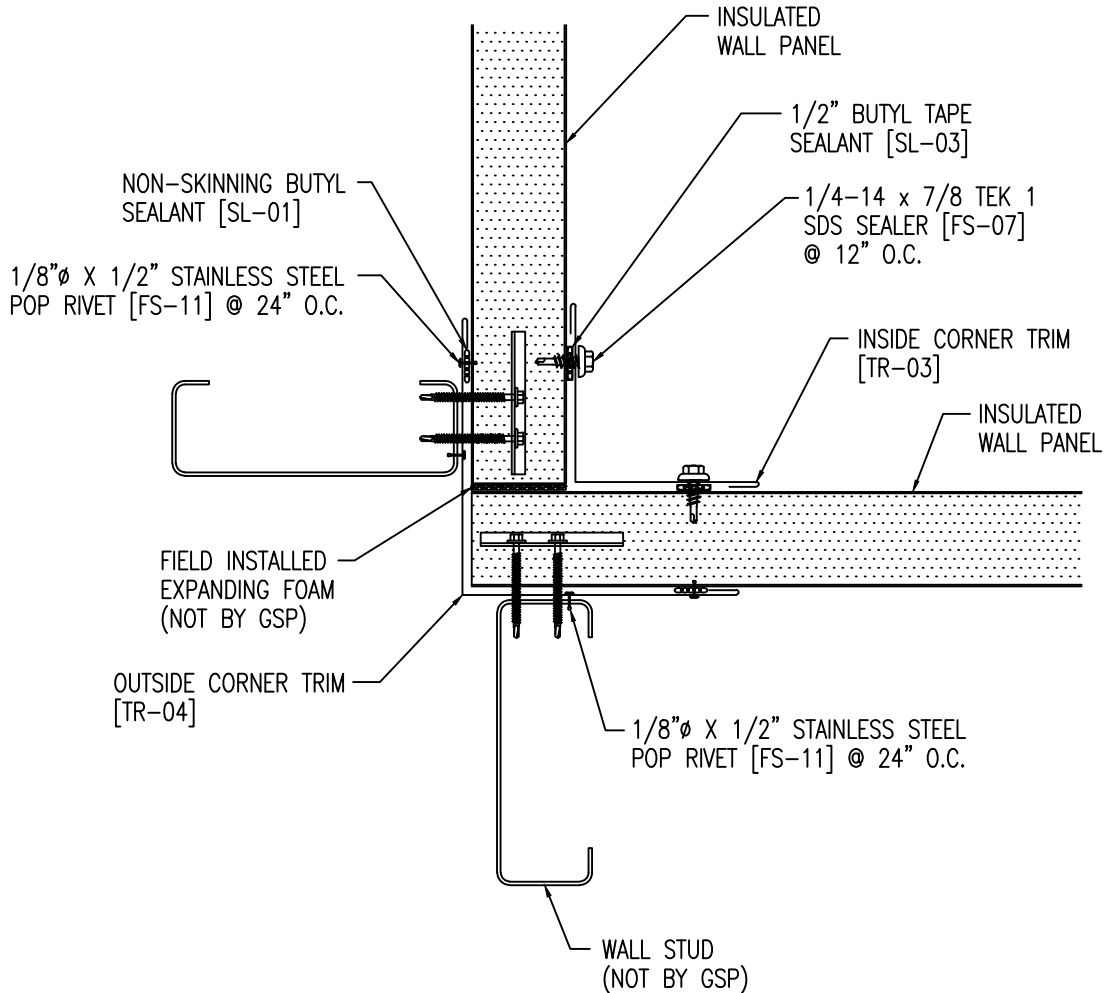
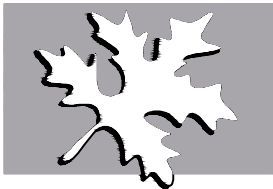


NOTE: FIELD CUT STARTING PANEL AND ENDING PANEL AS REQUIRED AT CORNER TRANSITION.



\*\* THE DETAIL SHOWN IS SUBJECT TO CHANGE WITHOUT NOTICE. PLEASE REFERENCE [WWW.GREENSPANPROFILES.COM](http://WWW.GREENSPANPROFILES.COM) FOR THE MOST CURRENT DATA \*\*



GREEN SPAN  
PROFILES®  
INSULATED PANEL TECHNOLOGIES

## INSIDE CORNER

APPLICATION: HORIZONTAL	NOTES: STANDARD TRIM	
SCALE: NTS	REVISION: 1	DATE: 2-27-15
DRAWN: DG	DATE: 9-20-13	
CHECK:	DATE:	
21200 FM362, WALLER, TEXAS 77484	281-807-7400	<a href="http://WWW.GREENSPANPROFILES.COM">WWW.GREENSPANPROFILES.COM</a>