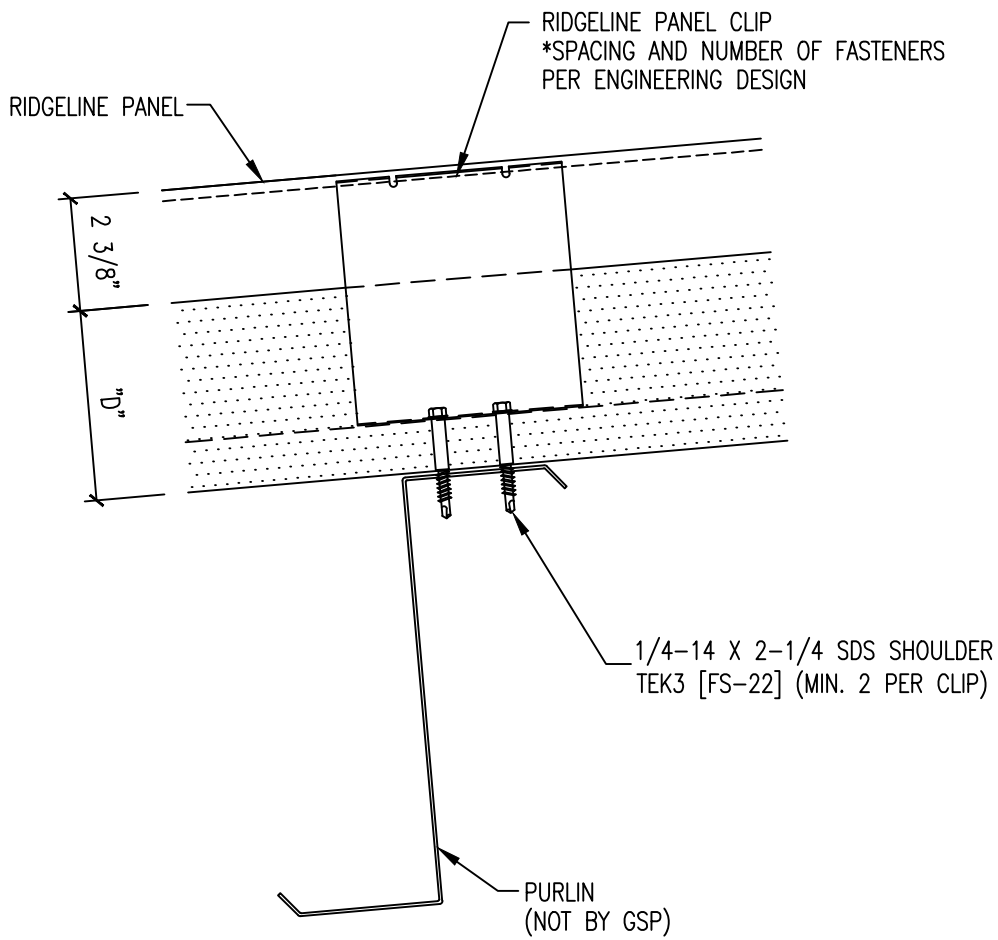


NOTE: DO NOT OVER DRIVE FASTENERS.

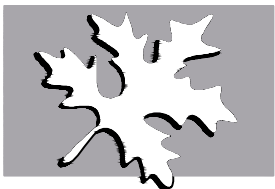
RL-CS-CC-001

FASTENING SCHEDULE WILL VARY
DEPENDING ON SPECIFIC APPLICATION



NOTE:

- "D" = ROOF PANEL THICKNESS (AVAILABLE THICKNESS = 2.5, 3, 4, 5 OR 6)



**GREEN SPAN
PROFILES®**

INSULATED PANEL TECHNOLOGIES

ROOF PANEL CLIP CONNECTION

APPLICATION: COLD STORAGE SSR

NOTES:

SCALE: NTS

REVISION: 2

DATE: 6/6/16

DRAWN: DG

DATE: 12-7-15

CHECK:

DATE:

21200 FM362, WALLER, TEXAS 77484

281-807-7400

WWW.GREENSPANPROFILES.COM