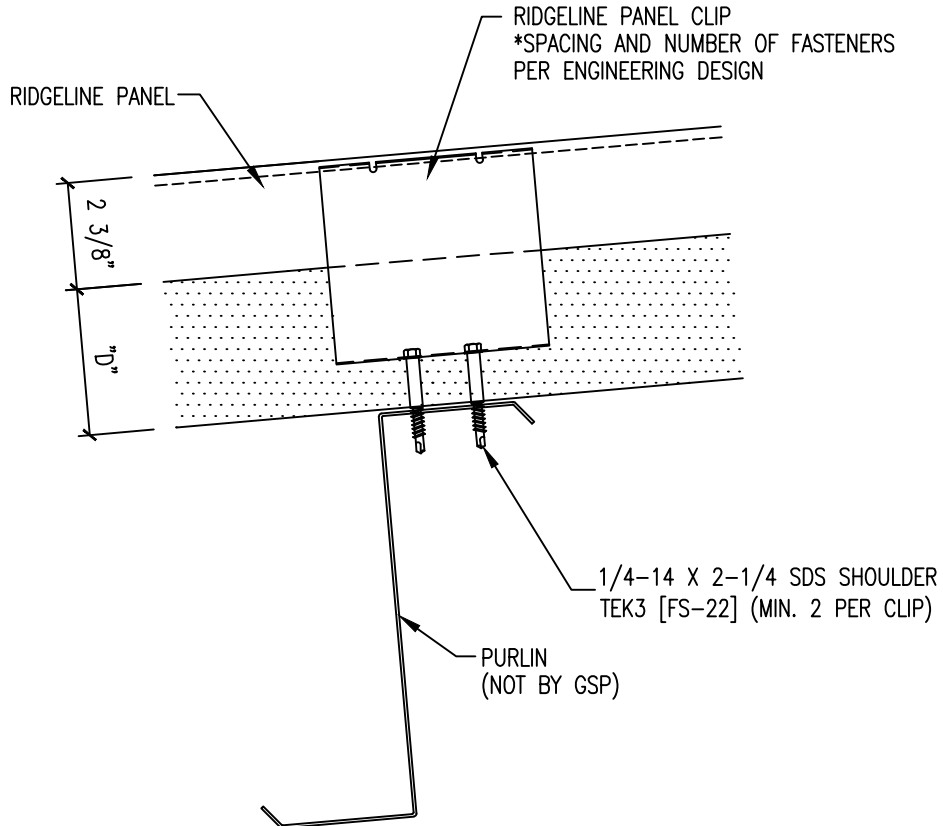


NOTE: DO NOT OVER DRIVE FASTENERS.

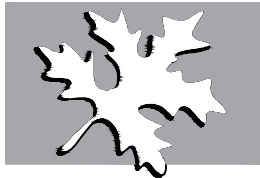
RL-CC-001

FASTENING SCHEDULE WILL VARY
DEPENDING ON SPECIFIC APPLICATION



NOTE:

1. "D" = ROOF PANEL THICKNESS (AVAILABLE THICKNESS = 2.5, 3, 4, 5, OR 6)



GREEN SPAN
PROFILES®

INSULATED PANEL TECHNOLOGIES

ROOF PANEL CLIP CONNECTION

APPLICATION: SSR	NOTES:	
SCALE: NTS	REVISION: 3	DATE: 6-3-16
DRAWN: JC	DATE: 10-20-13	
CHECK:	DATE:	
21200 FM362, WALLER, TEXAS 77484	281-807-7400	WWW.GREENSPANPROFILES.COM