

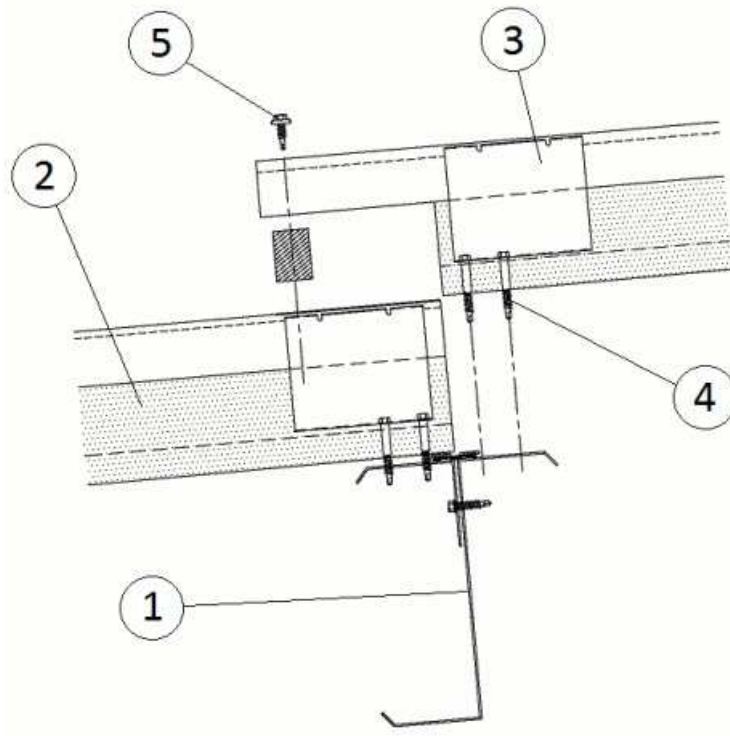
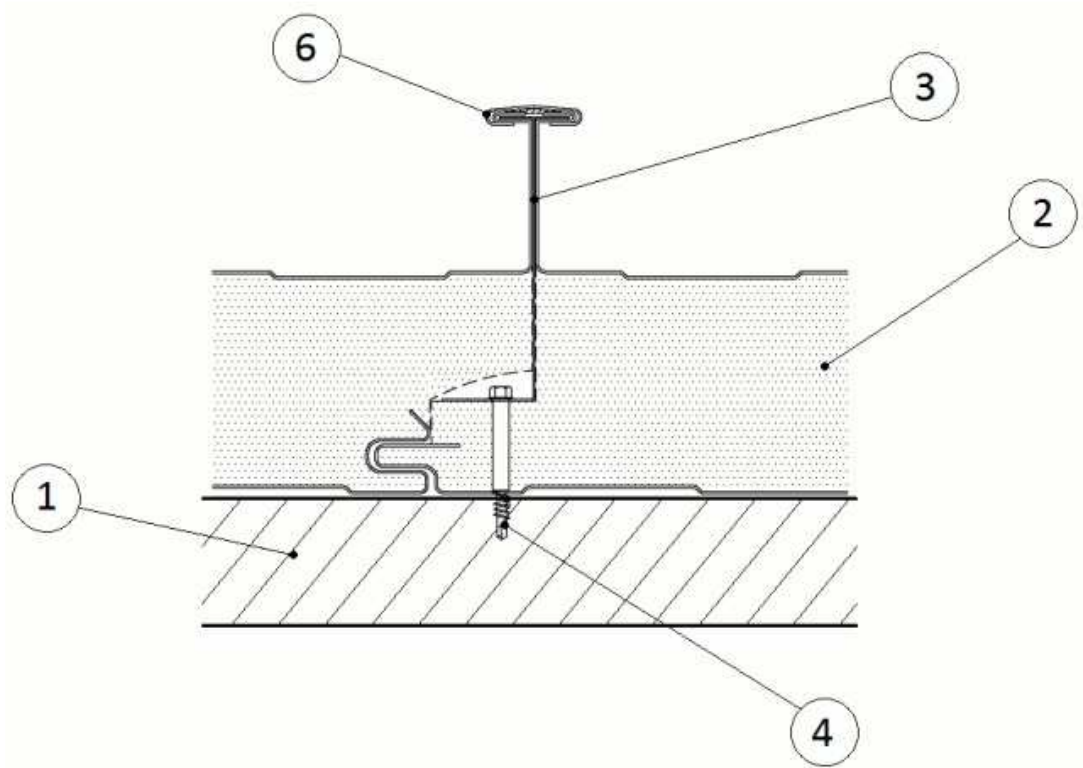
Roof Deck Constructions

Construction No. 698

July 15, 2016

Uplift — Class 90

Fire Not Investigated



1. **Purlins** — Min. No. 14 MSG high structural steel, spaced max. 84 in. OC. End lap support angles to be of the same material.

2. **Building Units*** — Foam insulation sandwich panels, with min. No. 26 MSG coated steel skins. Max. 42 in. wide and 2.5 to 5 in. thick, with additional 2 inch high standing seam ribs. Building Units continuous over two or more spans.

Side laps to be continuous. Building Units secured with Roof Deck Fasteners and Fasteners [4] over Purlins before adjacent units are coupled. Standing seam side lap ribs to be seamed with manual or motorized seaming tool. Sealant may be used at side joints.

End laps to be continuous and to occur over Purlins with end lap support angles. End laps formed by a 6 in. cutback of the foamed core and interior face of the upslope unit, and then lapping the exterior face of the upslope unit over the exterior face of the downslope unit and butting the foam cores. Secured with Fasteners [5], with butyl tape sealant between the overlapping exterior faces.

GREEN SPAN PROFILES LP ([View Classification](#)) — "RidgeLine Roof Panel"

3. **Roof Deck Fasteners* — (Panel Clips)** — Min. 16 MSG coated steel, 4 in. wide. Height varies with foam core thickness. Secured through Building Units to Purlins with Fasteners [4]. Installed at side lap crossings over Purlins, and at end laps over Purlins and support angles.

GREEN SPAN PROFILES LP ([View Classification](#)) — "RidgeLine Panel Clip"

4. **Fasteners (Screws)** — For securing the Roof Deck Fasteners to the Purlins, 1/4-14 x 2-1/4 SDS Shoulder Tek3. Two screws used per clip.

5. **Fasteners (Screws)** — For securing the end laps, 1/4-14 x 7/8 Tek1 SDS Sealer. One screw used per profile rib; seventeen per end lap.

6. **Batten Cap** — Min. 24 MSG coated steel, with an optional bead of factory applied hot metal mastic.

Refer to general information, Roof Deck Construction, for items not evaluated.

*** Indicates such products shall bear the UL or cUL Certification Mark for jurisdictions employing the UL or cUL Certification (such as Canada), respectively.**

[Last Updated](#) on 2016-07-15